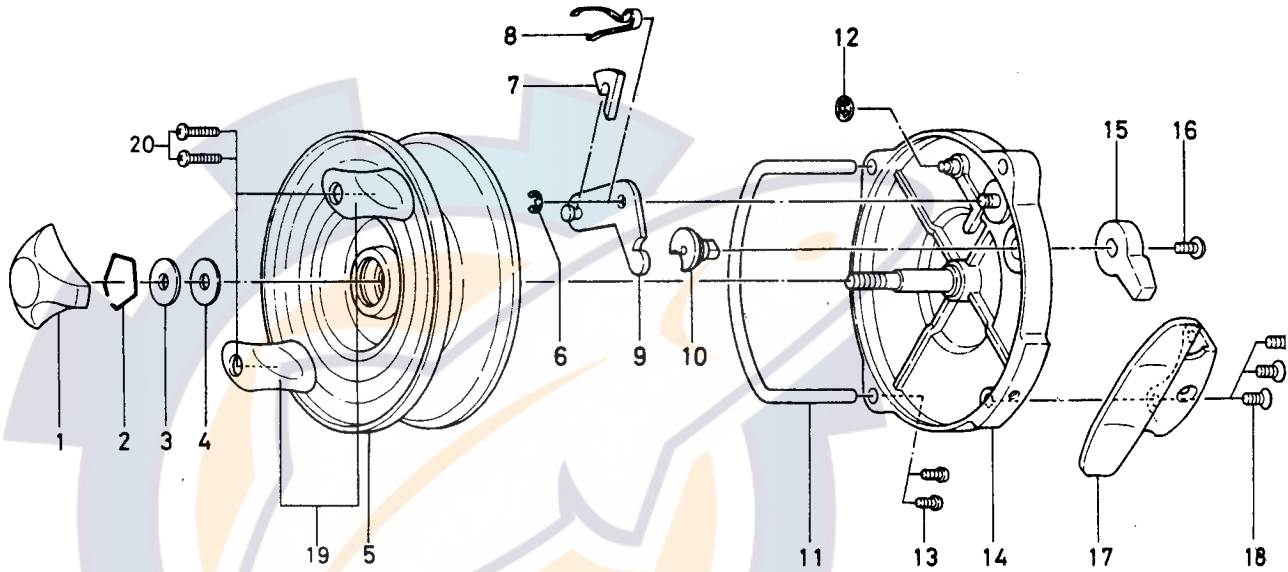


# SALMON TROLLING/MOOCHING REEL 175S



Key No. 2 ~ 5  
6-B16-5202

Spool assembly

Key No.	Parts No.	Parts Name
1	740-2705	Drag knob
2	170-4001	Retainer
3	372-0801	Drag washer A
4	371-2731	Drag washer B
5	B54-7201	Spool
6	320-1402	Click claw retainer A
7	B28-2301	Click claw
8	151-3401	Click spring
9	B16-4901	Click plate
10	461-0701	Click cam
11	B16-5101	Line guide
12	320-9701	Click claw retainer B
13	351-1001	Line guide screw
14	B54-7101	Body
15	541-0601	Click lever
16	352-9501	Click lever screw
17	610-2101	Leg
18	353-1201	Leg screw
19	100-8301	Handle knob
20	B16-5501	Handle screw